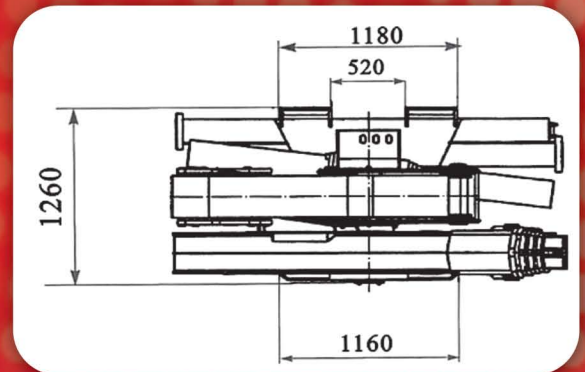
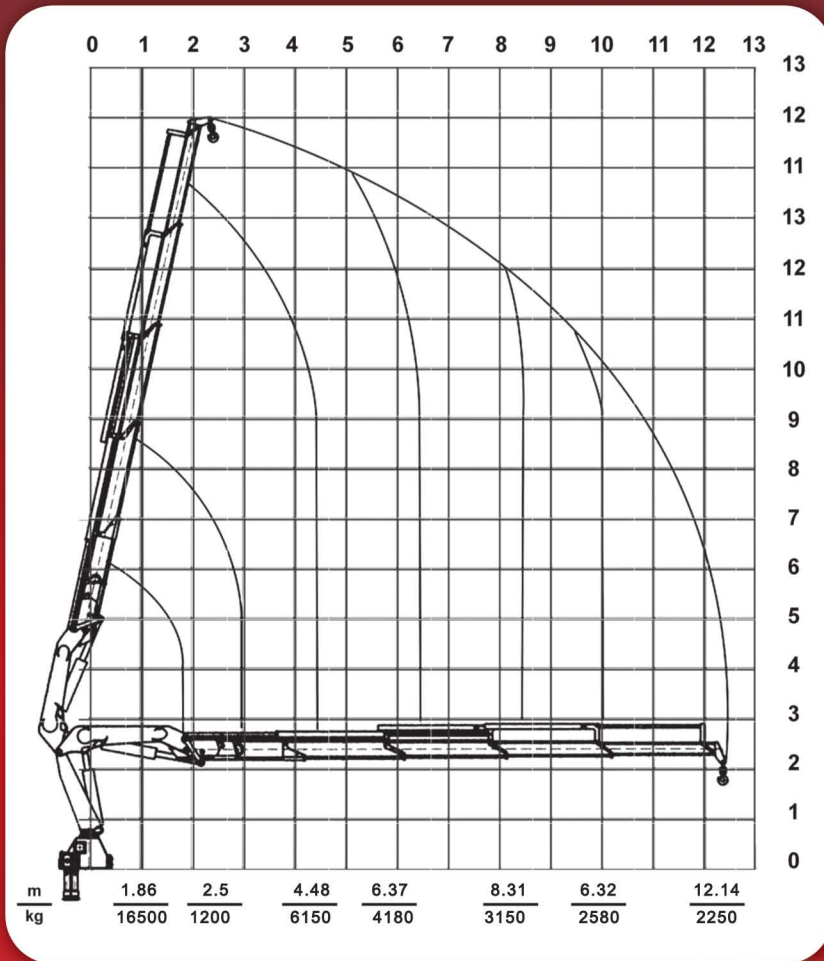


BC330.4



TECHNICAL SPECIFICATION **330.4**

LIFTING CAPACITY (KNM)	330
STANDARD REACH (M)	12.14
HYDRAULIC EXTENSIONS	4
ROTATION	385°
WORKING PRESSURE (MPA)	28.5
PUMP CAPACITY (CC/R)	40-100
OIL TANK CAPACITY (L)	160

